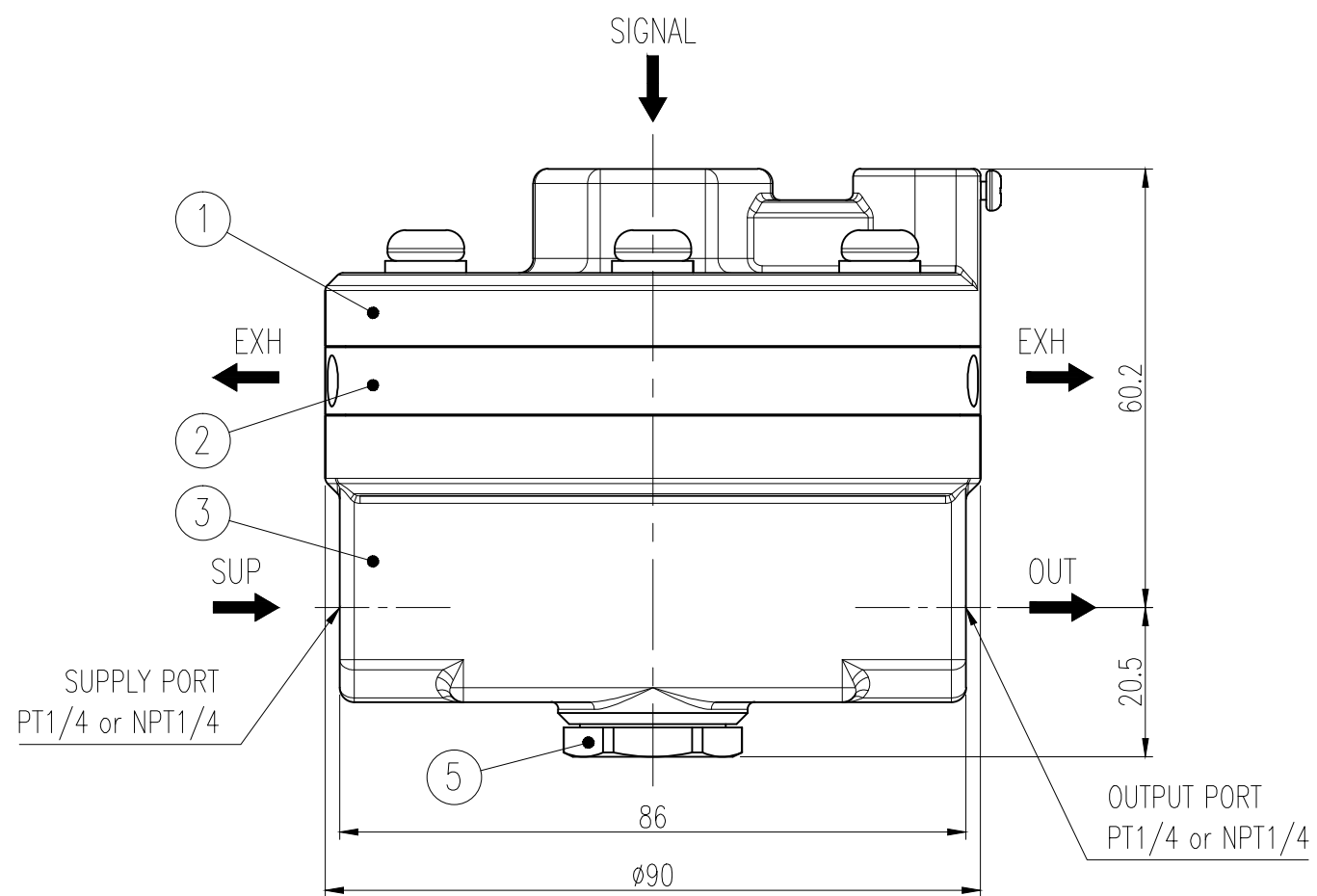
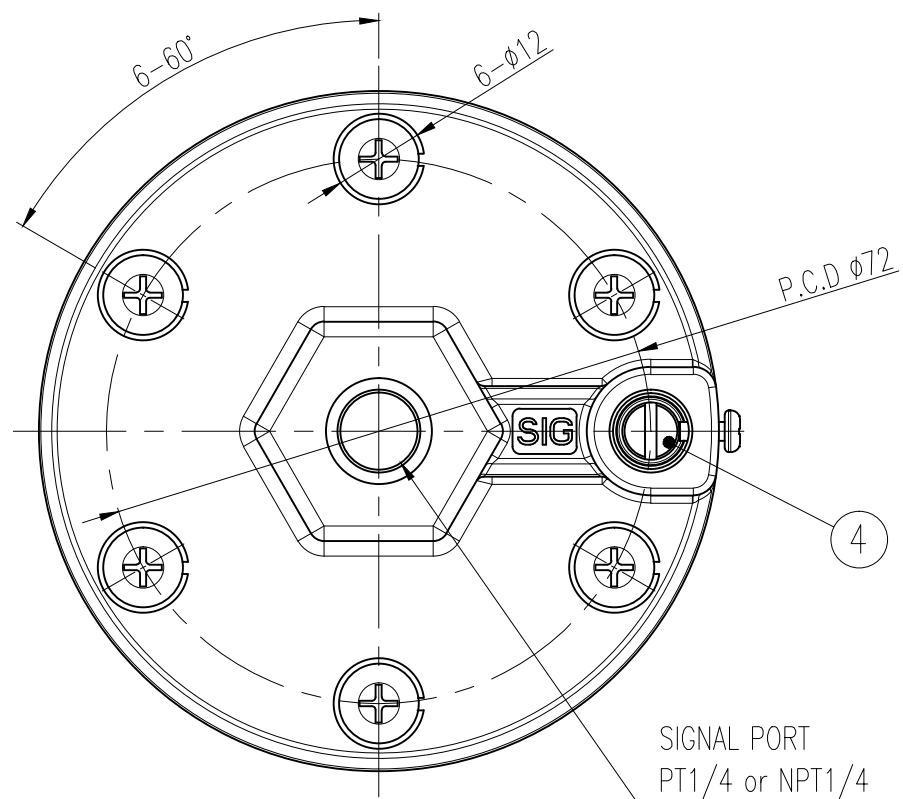


NO.	DATE	REVISION	DESIGNED	CHECKED	APPROVED
△	151215	RELEASED	SHAN		
△					



PART LIST

5	PLUG	STS303
4	ADJUST SCREW	STS303
3	BODY	ALDC12
2	RING EXHAUST	ALDC12
1	COVER	ALDC12
NO.	PART NAME	MATERIAL

SPECIFICATIONS

Working fluid	Compressed air	
Max. supply pressure	1.0 MPa	
Max. signal pressure	0.7 MPa	
In / Out pressure ratio	1 : 1	
Flow Capacity (Cv)	Output	1.19
	Exhaust	1.32
Ambient Temp.	Standard	-20°C ~ 70°C
	High Temp.	-20°C ~ 120°C
	Low Temp.	-40°C ~ 70°C
Linearity	±1.0% F.S.	
Hysteresis	±1.0% F.S.	
Signal Connection	PT1/4 or NPT1/4	
In / Out Connection	PT1/4 or NPT1/4	
Housing Material	Aluminum die-cast	
Weight	0.55kg	

SURFACE TEXTURE		WEIGHT		tiessin TISSIN Co., Ltd.	
FINISH		SHEET No.	1 / 1	PRODUCT NAME	VOLUME BOOSTER
MATERIAL		UNIT	mm	MODEL	TS100
QUANTITY		SCALE	1 / 1	TITLE	VOLUME BOOSTER ASS'Y
OTHERWISE NOTE		PROJECTION	3RD ANGLE	DWG. NO.	TS100 01 A1
GENERAL DIM		DWG SIZE	A3		REV. 0