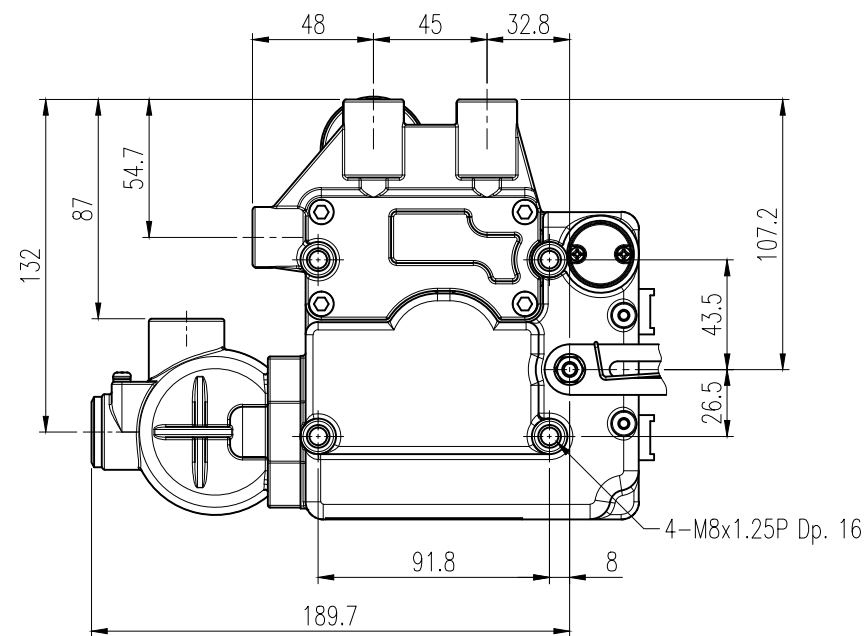
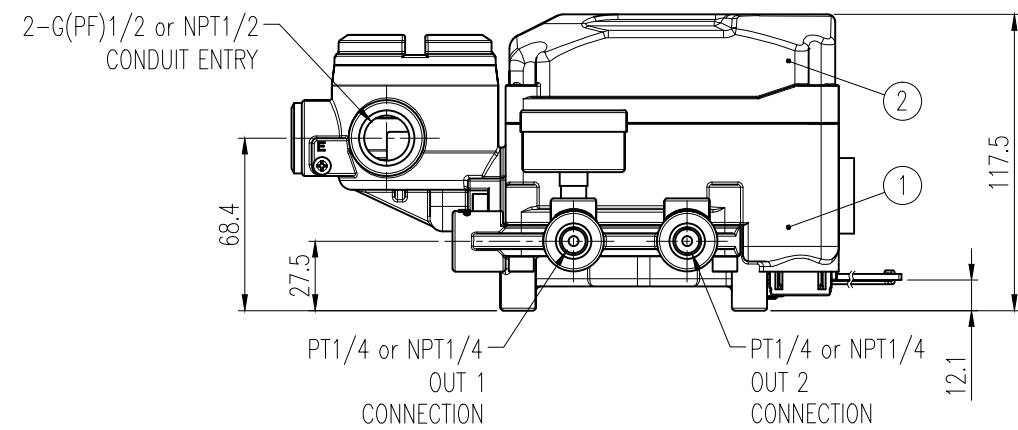
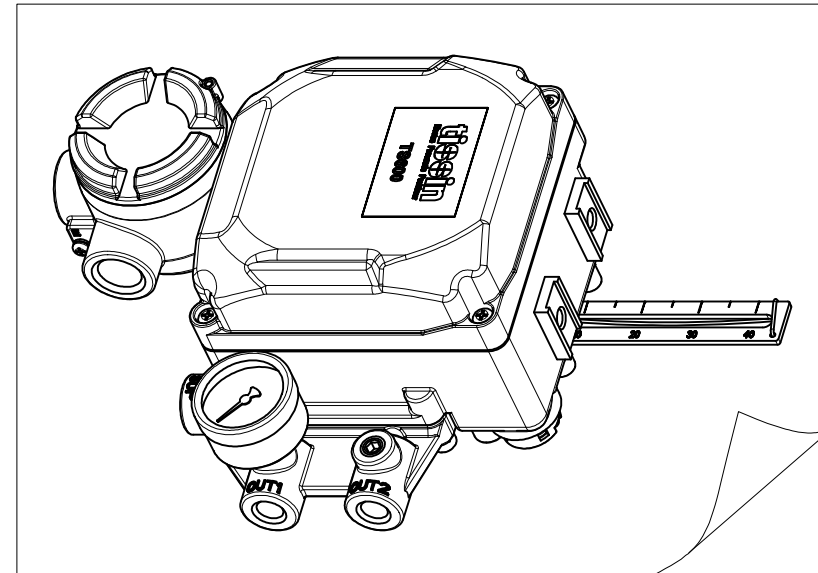
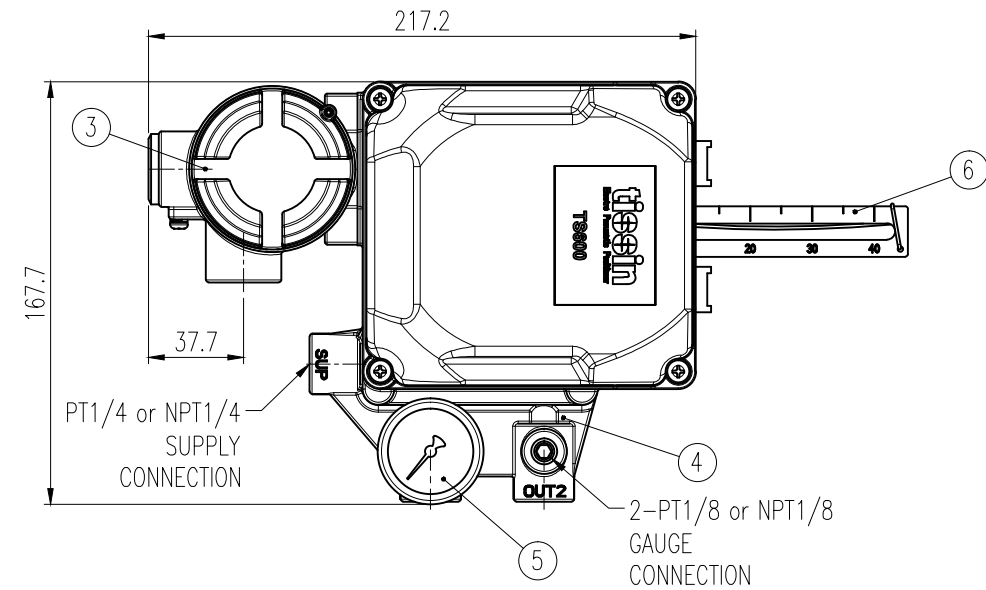
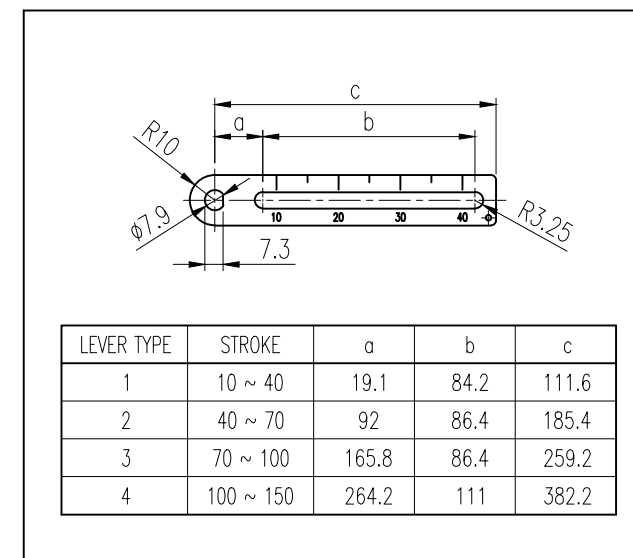


NO.	DATE	REVISION	DESIGNED	CHECKED	APPROVED
△	150918	RELEASED	SHAN		
△					



### FEEDBACK LEVER



### PART LIST

NO.	PART NAME	MATERIAL	Q'TY
6	FEEDBACK LEVER	STS304	1
5	PRESSURE GAUGE	STS304	1
4	BLOCK GAUGE	ALDC12	1
3	JUNCTION BOX	ALDC12	1
2	COVER BASE	ALDC12	1
1	BODY BASE	ALDC12	1

### SPECIFICATIONS

Acting Type	Single or Double	
Input Signal	4 ~ 20mA	
Impedance	250±15Ω	
Working fluid	Compressed air	
Max. working pressure	0.7 MPa	
Min. working pressure	0.14 MPa	
Air Consumption (sup=0.14MPa)	<2.5 LPM	
Flow Capacity (sup=0.14MPa)	>80LPM	
Ambient Temp.	Operating Temp.	-20°C ~ 70°C (Standard) -40°C ~ 70°C (Low Temp.) -20°C ~ 120°C (High Temp.)
	Explosion Temp.	T5 : -40°C ~ 60°C T6 : -40°C ~ 40°C
Explosion Proof	Non-Explosion Ex ia IIC T5/T6 Ex dmb IIB T5/T6 Ex dmb IIC T5/T6	
Protection	IP66	
Air Connection	PT1/4 or NPT1/4	
Gauge Connection	PT1/8 or NPT1/8	
Conduit entry	G(PF)1/2 or NPT1/2	
Pressure Gauge	Ø42, Max. 0.8MPa	
Stroke	10 ~ 150mm	
Linearity	Single ±1.0% F.S. Double ±2.0% F.S.	
Hysteresis	±1.0% F.S.	
Sensitivity	Single ±0.2% F.S. Double ±0.5% F.S.	
Repeatability	±0.5% F.S.	
Housing Material	Aluminum die-cast	
Weight	2.8kg	

SURFACE TEXTURE	WEIGHT	g	TISSIN TISSIN Co., Ltd.	
FINISH	SHEET No.	1 / 1	PRODUCT NAME	ELECTRO-PNEUMATIC POSITIONER
MATERIAL	UNIT	mm	MODEL	TS600
QUANTITY	SCALE	1 / 3	TITLE	LINEAR FLAME PROOF
OTHERWISE NOTE	PROJECTION	3RD ANGLE	DWG. NO.	TS600 EP 01 A1
GENERAL DIM	DWG SIZE	A3	REV.	0