

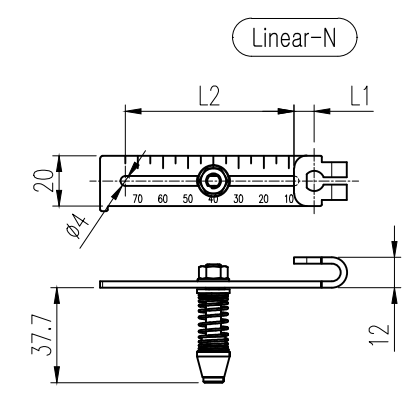
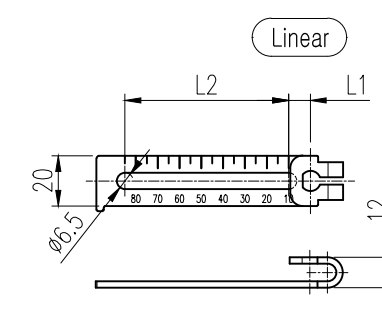
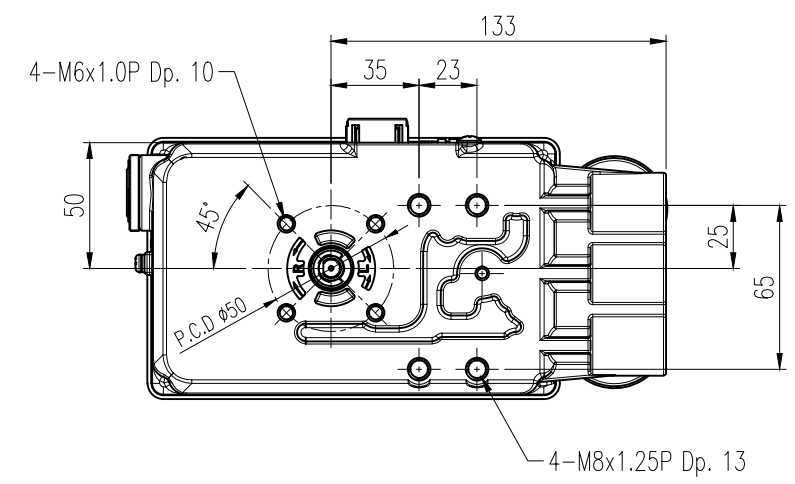
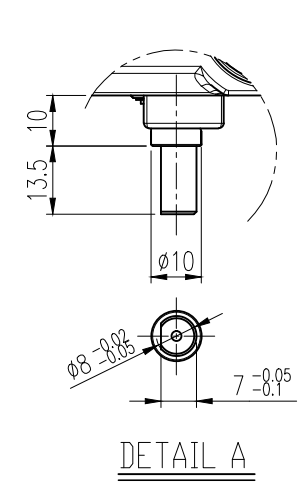
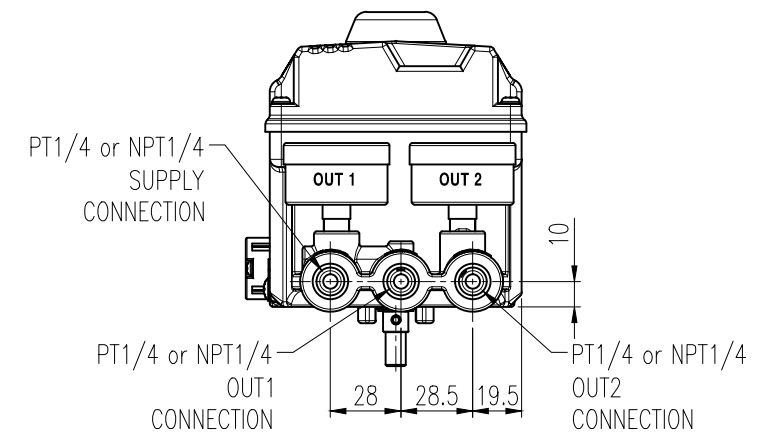
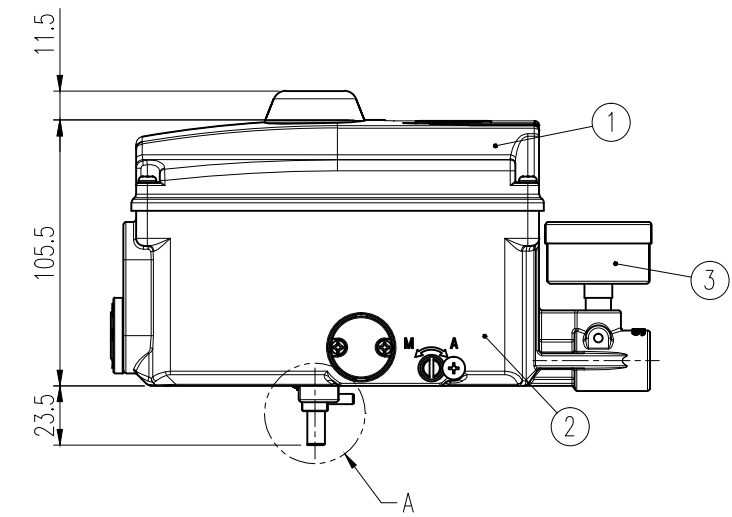
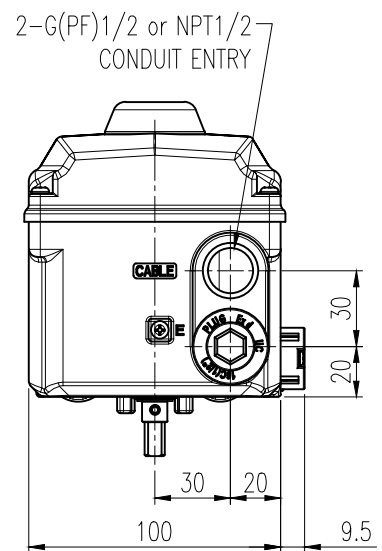
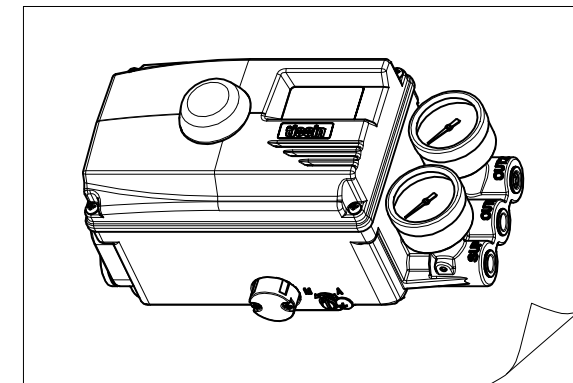
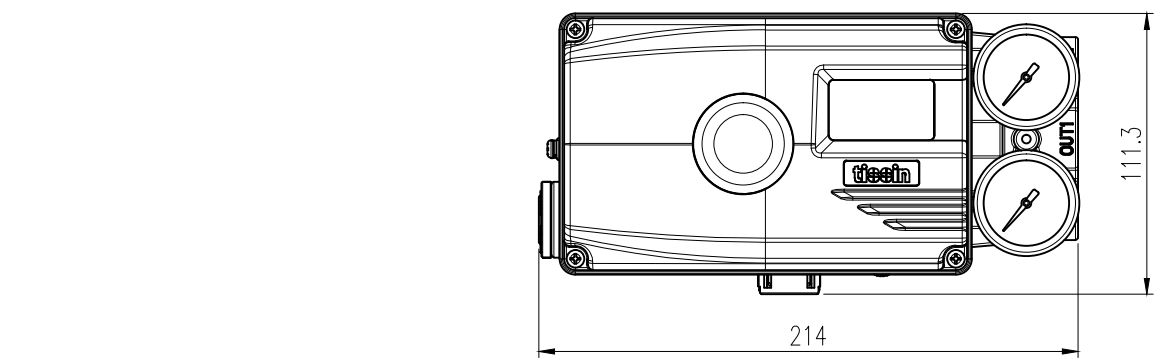
NO.	DATE	REVISION	DESIGNED	CHECKED	APPROVED
△	170324	RELEASED	DKMIN		
△					

PART LIST

NO.	PART NAME	MATERIAL	Q'TY
7	FEEDBACK LEVER (LINEAR-N)	STS304	1
6	FEEDBACK LEVER (LINEAR)	STS304	1
5	FEEDBACK LEVER (ROTARY NAMUR)	STS304	1
4	FEEDBACK LEVER (ROTARY)	STS304	1
3	PRESSURE GAUGE	STS304	1 or 2
2	COVER BASE	ALDC12	1
1	BODY BASE	ALDC12	1

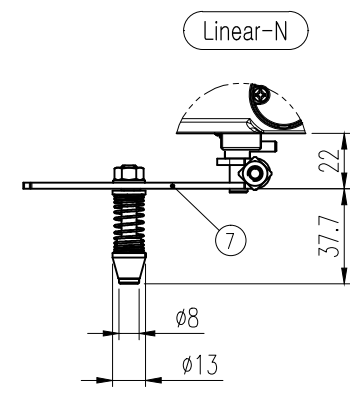
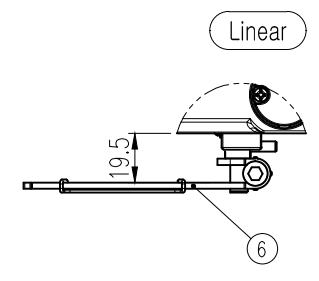
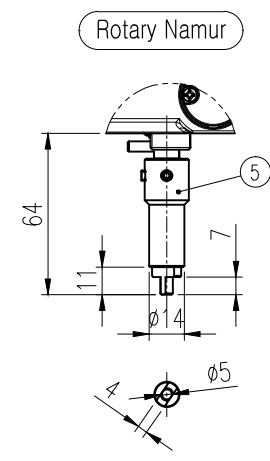
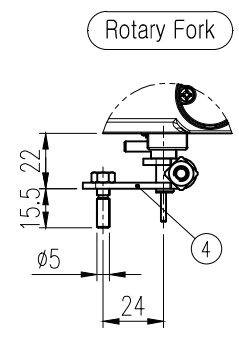
SPECIFICATIONS

Acting Type	Single or Double	
Input Signal	4 ~ 20mA	
Impedance	500 at 20mA DC	
Working fluid	Compressed air	
Max. working pressure	0.7 MPa	
Min. working pressure	0.14 MPa	
Air Consumption (sup=0.14MPa)	<2.3 LPM	
Flow Capacity (sup=0.14MPa)	>100LPM	
Ambient Temp.	Standard Type	-20°C ~ 85°C
	Low Temp. Type	-40°C ~ 85°C
	Explosion Proof	-40°C ~ 60°C (T5)
		-40°C ~ 40°C (T6)
LCD Operating	-30°C ~ 85°C	
Explosion Proof	Ex ia IIC T5/T6	
Enclosure	IP66	
Air Connection	PT1/4 or NPT1/4	
Gauge Connection	PT1/8 or NPT1/8	
Conduit entry	G(PF)1/2 or NPT1/2	
Pressure Gauge	Ø42, Max. 0.8MPa	
Stroke	Linear	10 ~ 150mm
	Rotary	0~90°
Linearity	±0.5% F.S.	
Hysteresis	±0.5% F.S.	
Sensitivity	±0.2% F.S.	
Repeatability	±0.3% F.S.	
L/S Rating	Mechanical Type	AC 125V, 3A DC 30V, 2A
	Proximity Type	DC8.2V 8.2mA
Housing Material	Aluminum die-cast	
Weight	2.2kg	



Lever Type	Stroke	L1	L2
1	10 ~ 80	8.66	64.95
2	70 ~ 150	60.62	77.94
3	10 ~ 70	8	67
4	60 ~ 150	58	92

Unit : mm



SURFACE TEXTURE		WEIGHT	g	TISSIN TISSIN Co., Ltd.	
FINISH		SHEET No.	1 / 1	PRODUCT NAME	SMART POSITIONER
MATERIAL		UNIT	mm	MODEL	TS800
QUANTITY		SCALE	1 / 3	TITLE	DIMENSIONS
OTHERWISE NOTE		PROJECTION	3RD ANGLE	DWG. NO.	TS800 AA 01 A1
GENERAL DIM		DWG SIZE	A3		