



## Volume Booster TS100 Series

- Fast response
- Adjustable response
- Soft seat sealing
- Simplified maintenance

# Volume Booster TS100 Series

## Description

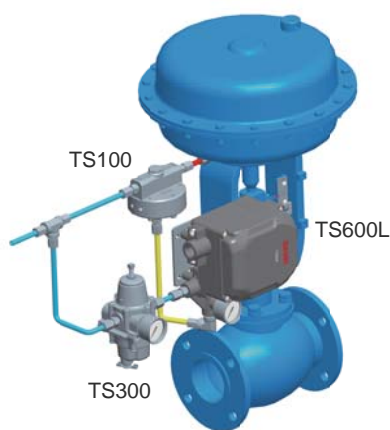
Volume Booster TS100 is one-to-one Signal to output supply Air, when used with a positioner/actuator, it is a control device to increase the stroking speed of control valves.



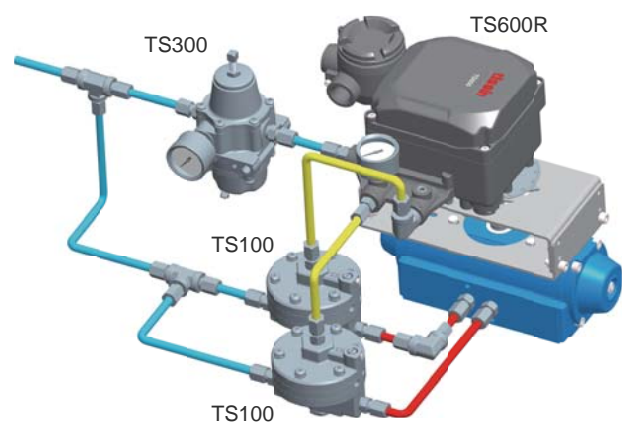
## Features

- + Precise and fast response
- + Soft seats provide tight shut off
- + Adjustable Sensitivity
- + Options available (High and Low temperature)
- + Small size and light weight

## Installation examples



Single actuator



Double actuator

# Volume Booster TS100 Series

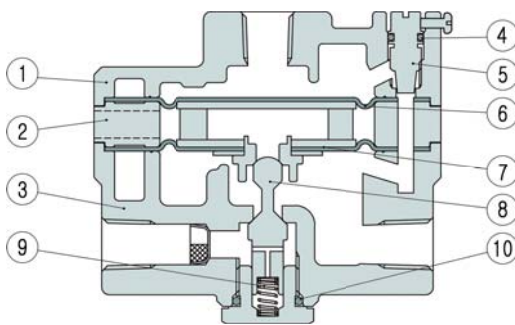
## Specifications

Model	TS100	
Max supply pressure	1MPa	
Signal and output pressure	0.4~0.7MPa	
Signal to output ratio	1:1	
Linearity	1%	
Flow capacity (CV)	Exhaust	1.3
	Output	1.2
Signal port	NPT1/4, PT1/4	
Supply / Output port	NPT1/4, PT1/4	
Ambient temperature	-20°C ~70°C (Standard type)	
Material	Aluminum die cast	
Weight	0.55kg	

## Product number

Model	TS100		
Air connection	NPT1/4 PT1/4	N P	
Ambient temperature	-20°C~70°C -20°C~120°C -40°C~70°C		S H L

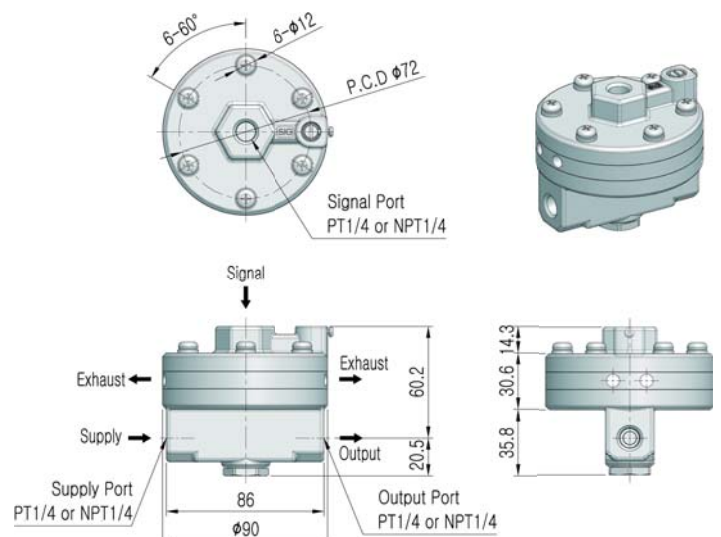
## Materials of construction



No.	Title	Material	No.	Title	Material
1	Cover	ALDC12	6	Diaphragm upper	NBR
2	Ring exhaust	ALDC12	7	Ass'y diaphragm	AL/NBR
3	Body	ALDC12	8	Poppet	STS
4	O-ring	NBR	9	Spring seat	STS
5	Adjust screw	STS	10	O-ring	NBR



## Dimension [Unit:mm]





## Solutions for control valve system

Tissin Co.,Ltd. (주)티씬

202-801, No 397, Seokchen-ro, Ojeong-gu,  
Bucheon-si, Gyeonggi-do, Korea 14449

Tel : +82-32-624-4573, Fax : +82-32-624-4574

[www.tissin.co.kr](http://www.tissin.co.kr)



Version: TS100EN\_9/2017

We reserve the right to make technical changes or modify  
the contents of this document without prior notice.

Copyright © 2017 Tissin  
All rights reserved.

Printed in Korea