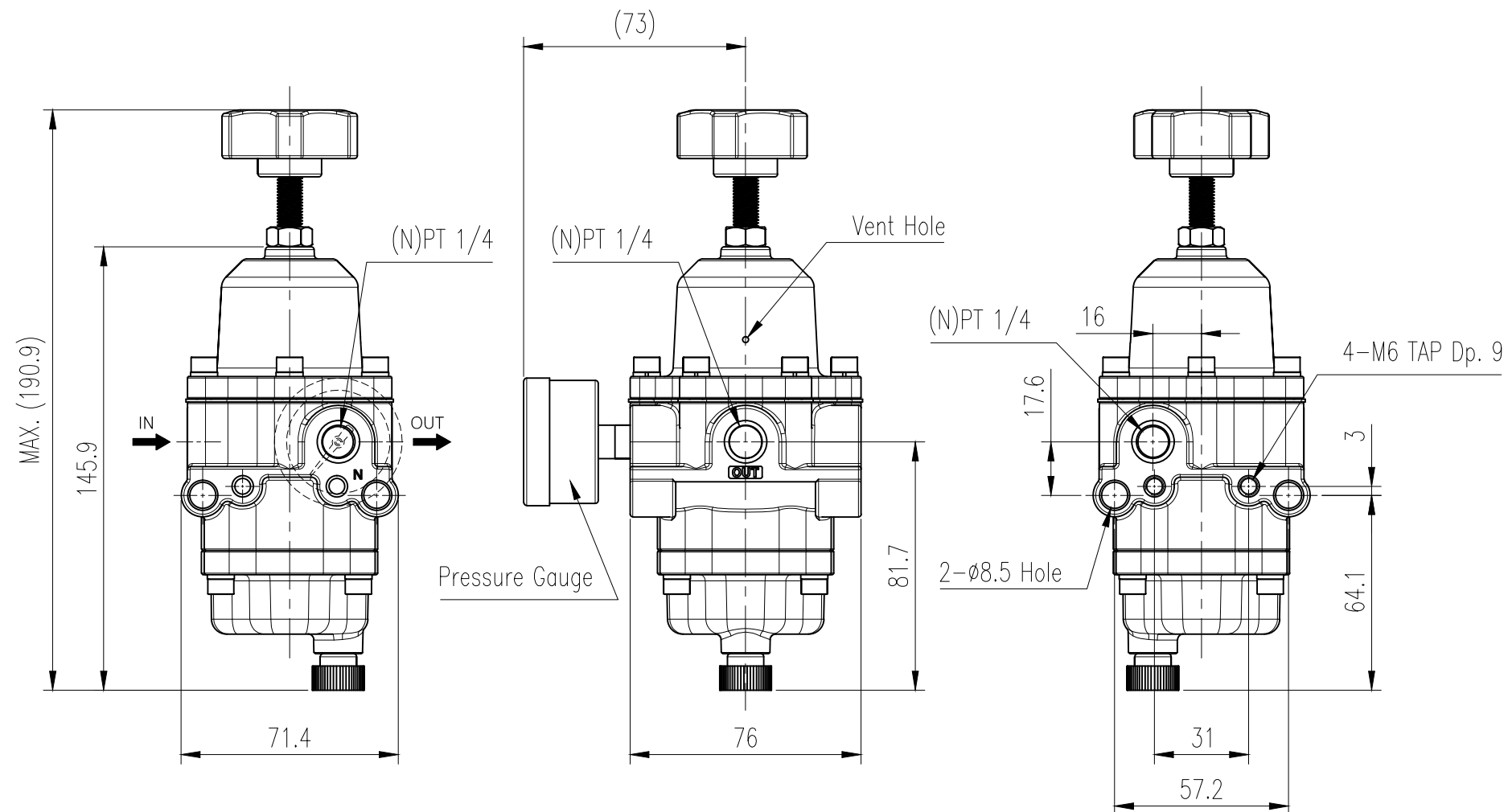
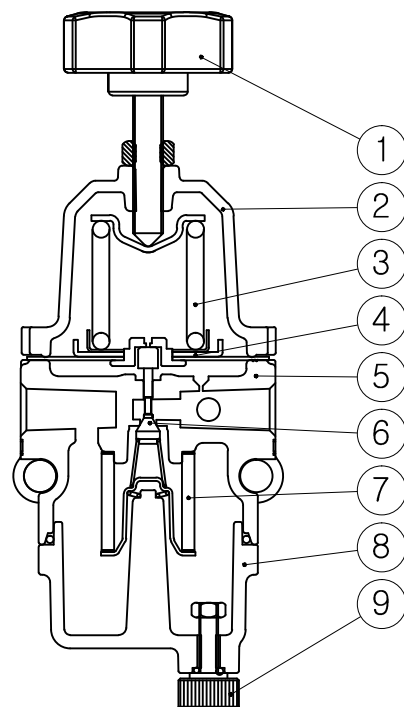


NO.	DATE	REVISION	DESIGNED	CHECKED	APPROVED
△	170425	RELEASED	DKMIN		
△					



SPECIFICATIONS

Working Fluid	Compressed air	
Max. Supply Pressure	1.7 MPa	
Outlet Pressure Range	0 ~ 8.4 MPa	
Gauge Connection	PT1/4 or NPT1/4	
Air Connection	PT1/4 or NPT1/4	
Ambient Temp.	Standard	-20°C ~ 70°C
	High Temp.	-20°C ~ 120°C
	Low Temp.	-40°C ~ 70°C
Min. Filtering Size	Aluminum Die-cast	
Housing Material	5 Micron	
Weight	0.6kg	



PART LIST

9	PLUG DRAIN	STS + NYLON
8	CASE FILTER	ALDC12
7	FILTER	P.E (Poly Ethylene)
6	STEM	C3604BD + NBR
5	BODY BASE	ALDC12
4	ASS'Y DIAPHRAGM	NBR + STS
3	SPRING ADJUST	HSW3
2	CASE SPRING	ALDC12
1	ADJUST HANDLE	STS + NYLON
NO.	PART NAME	MATERIAL

SURFACE TEXTURE		WEIGHT	g	TISSIN TISSIN Co., Ltd.	
FINISH		SHEET No.	1 / 1	PRODUCT NAME	AIR FILTER REGULATOR
MATERIAL		UNIT	mm	MODEL	TS300
QUANTITY		SCALE	1 / 2	TITLE	REGULATOR ASS'Y
OTHERWISE NOTE		PROJECTION	3RD ANGLE	DWG. NO.	TS300 01 A1
GENERAL DIM		DWG SIZE	A3		REV. 0