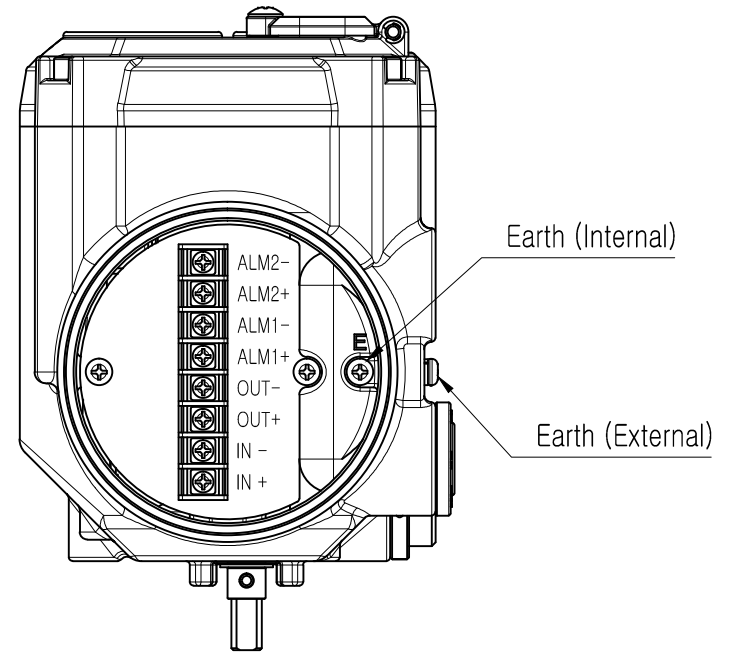
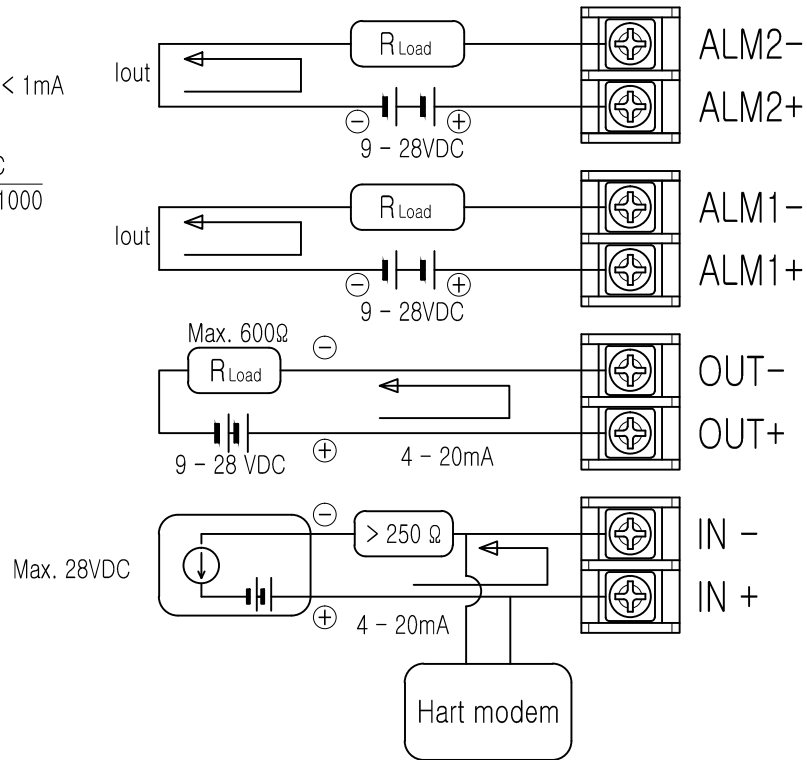


NO.	DATE	REVISION	DESIGNED	CHECKED	APPROVED
△	180525	RELEASED	DKMIN		
△					

Not Detected :  $I_{out} < 1\text{mA}$

Detected

$$I_{out}(A) = \frac{VDC}{R_{Load} + 1000}$$



SURFACE TEXTURE	/	WEIGHT	g	<b>TISSIN Co., Ltd.</b>		
FINISH		SHEET No.	1 / 1			PRODUCT NAME
MATERIAL		UNIT	mm	MODEL	TS900	
QUANTITY		SCALE	1 / 1	TITLE	WIRING DIAGRAM	REV.
OTHERWISE NOTE		PROJECTION	3RD ANGLE	DWG. NO.	TS900 WD 01 A1	0
GENERAL DIM		DWG SIZE	A4			