



Volume Booster

TS100/110/120/105/115/125 Series

- Precise and fast response
- Soft seats provide tight shut off
- Adjustable Sensitivity
- Speed up valve regulation

Volume Booster TS100/110/120/105/115/125 Series

Description

Volume Booster is one-to-one Signal to output supply air, when used with a positioner/actuator, it is a control device to increase the stroking speed of control valves.

Features

- + Precise and fast response
- + Soft seats provide tight shut off
- + Adjustable Sensitivity
- + Options available (High and Low temperature)
- + Speed up valve regulation



TS100

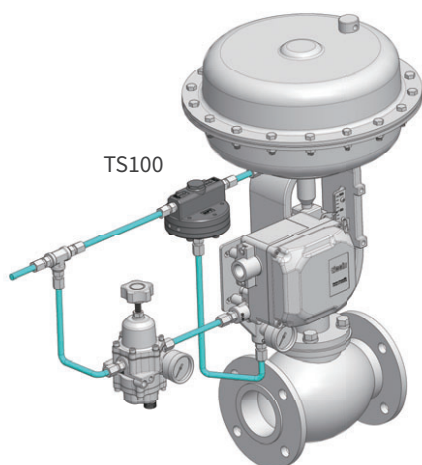


TS110

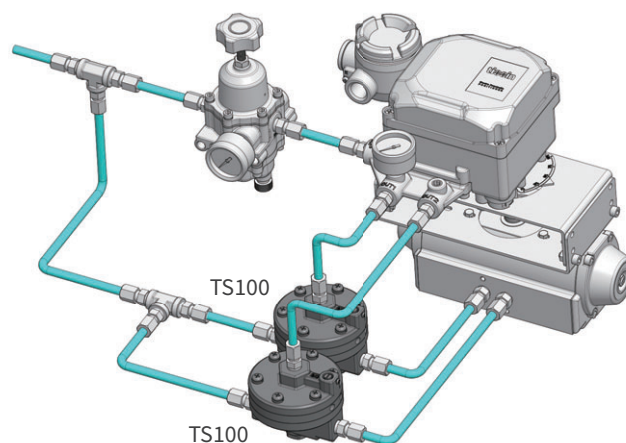


TS120

Installation examples



Single actuator



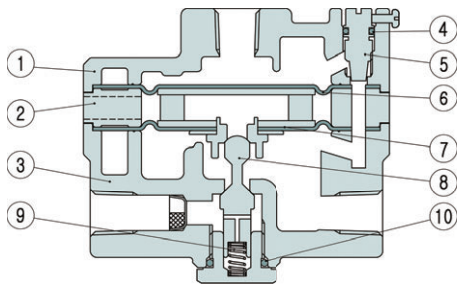
Double actuator

Volume Booster TS100/110/120/105/115/125 Series

Specifications

Model		TS100	TS110	TS120
Max supply pressure		1MPa	1MPa	1MPa
Signal and output pressure		0.14~0.7MPa	0.14~0.7MPa	0.14~0.7MPa
Signal to output ratio		1:1	1:1	1:1
Linearity		1%	1%	1%
Flow capacity (CV)	Exhaust	1.3	2.1	5.2
	Output	1.2	2.7	4.9
Signal port		NPT1/4, PT1/4	NPT1/4, PT1/4	NPT1/4
Supply / Output port		NPT1/4, PT1/4	NPT1/2, PT1/2	NPT3/4
Ambient temperature	Standard type	-20°C~70°C	-20°C~70°C	-20°C~70°C
	High Temp.	-20°C~120°C	-20°C~120°C	-20°C~120°C
	Low Temp.	-40°C~70°C	-40°C~70°C	-40°C~70°C
Material		Aluminum die cast	Aluminum die cast	Aluminum die cast
Weight		0.55kg	0.75kg	1.9kg

Materials of construction



No.	Title	TS100/110/120	TS105/115/125
1	Cover	ALDC12	STS316
2	Ring exhaust	ALDC12	STS316
3	Body	ALDC12	STS316
4	O-ring	NBR/SILICONE	NBR/SILICONE
5	Adjust screw	STS303	STS316
6	Diaphragm upper	NBR/SILICONE	NBR/SILICONE
7	Ass'y diaphragm	AL/NBR	STS/SILICONE
8	Poppet	STS304	STS316
9	Spring seat	STS304	STS316
10	O-ring	NBR/SILICONE	NBR/SILICONE

Product code

Model	TS1				
In/ Output port size	1/4"	0			
	1/2"	1			
	3/4"	2			
Material	Aluminum		0		
	Stainless steel 316		5		
Air connection type*	NPT			N	
	PT			P	
Ambient temperature	-20°C~70°C				S
	-20°C~120°C				H
	-40°C~70°C				L
	-60°C~70°C				U

* TS120/105/115/125 are only available with NPT .



tissin

Solutions for control valve system

tissin

Tissin Co.,Ltd. (주)티썬

201-1105, No 397, Seokchen-ro, Ojeong-gu,
Bucheon-si, Gyeonggi-do, Korea 14449

Tel : +82-32-624-4573, Fax : +82-32-624-4574

www.tissin.co.kr



Version: PC-100EN_04/2024

We reserve the right to make technical changes or modify
the contents of this document without prior notice.

Copyright © 2024 Tissin
All rights reserved.

Printed in Korea