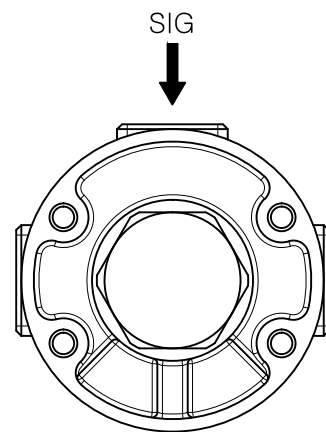
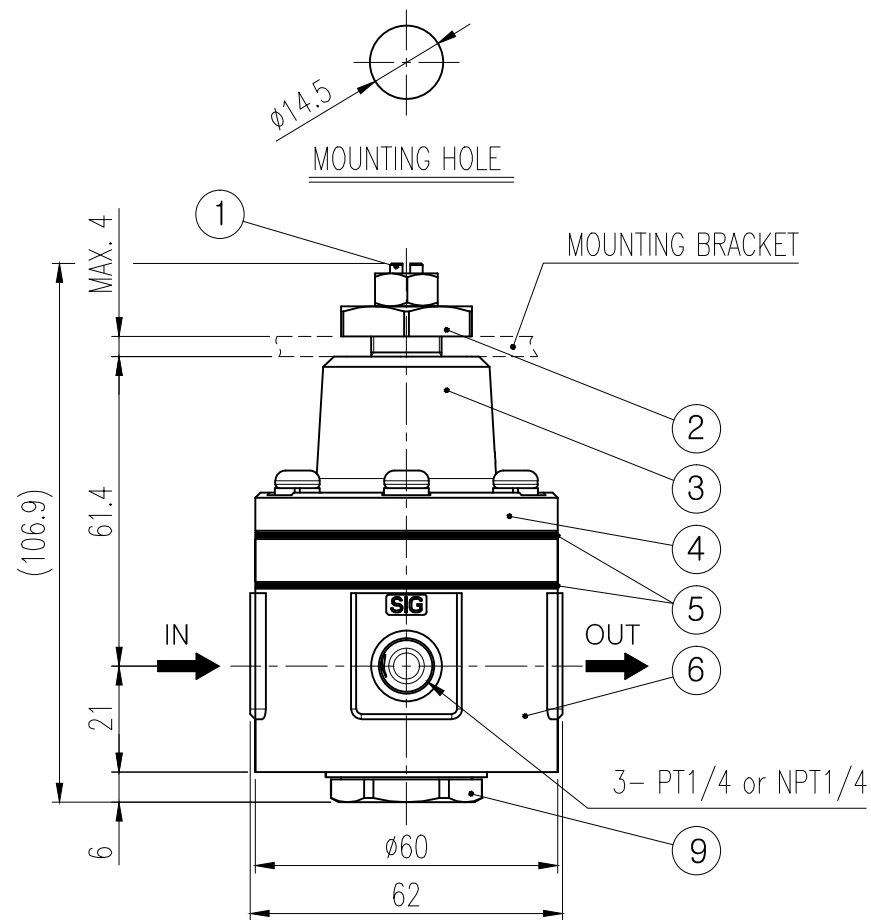
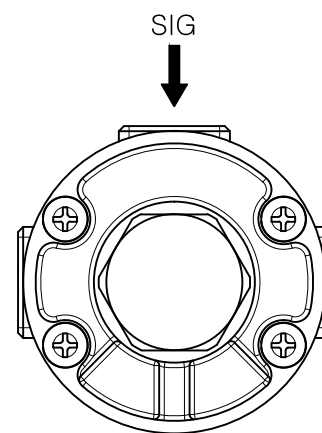
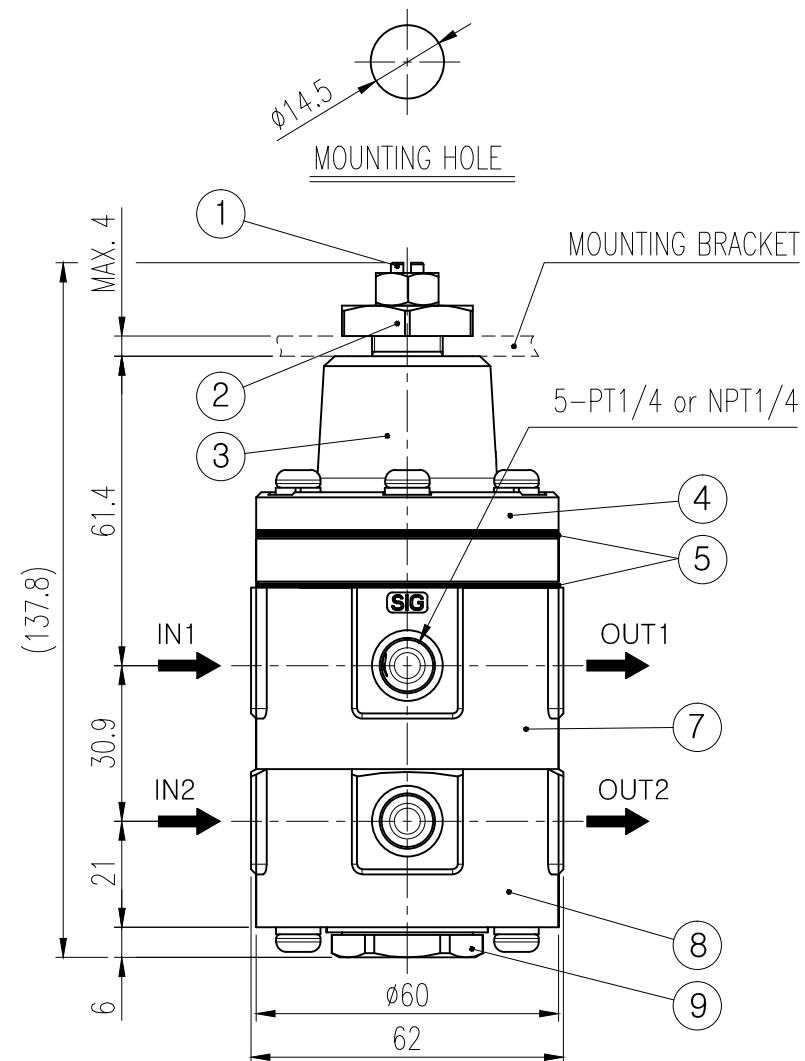


NO.	DATE	REVISION	DESIGNED	CHECKED	APPROVED
△	151215	RELEASED	SHAN		
△					



SINGLE



DOUBLE

PART LIST

9	PLUG	C3604BD + Ni PLATED
8	BODY DOUBLE LOWER	ALDC12
7	BODY DOUBLE	ALDC12
6	BODY SINGLE	ALDC12
5	DIAPHRAGM	NBR
4	RING	ALDC12
3	COVER	ALDC12
2	NUT MOUNTING	STS303
1	ADJUST SHAFT	STS303
NO.	PART NAME	MATERIAL

SPECIFICATIONS

Working fluid	Compressed air	
Max. supply pressure	1.0 MPa	
Signal pressure	0.14 ~ 0.7 MPa	
Max. Lock-Up pressure	0.7 MPa	
Flow Capacity (Cv)	0.9	
Hysteresis	0.01 MPa	
Signal Connection	PT1/4 or NPT1/4	
In / Out Connection	PT1/4 or NPT1/4	
Ambient Temp.	Standard	-20°C ~ 70°C
	High Temp.	-20°C ~ 120°C
	Low Temp.	-40°C ~ 70°C
In / Out Connection	PT1/4 or NPT1/4	
Housing Material	Aluminum die-cast	
Weight	Single	0.45kg
	Double	0.63kg

SURFACE TEXTURE	WEIGHT	g	TISSIN TISSIN Co., Ltd.		
FINISH	SHEET No.	1 / 1			
MATERIAL	UNIT	mm	MODEL	TS200	
QUANTITY	SCALE	1 / 1.5	TITLE	LOCK UP VALVE ASS'Y	REV.
OTHERWISE NOTE	PROJECTION	3RD ANGLE			
GENERAL DIM	DWG SIZE	A3			