



Air Filter Regulator TS300 Series

- Removes Oil, Water and Particles
- Excellent flow characteristics
- 2 pressure gauge ports
- 5 micron filter

Air Filter Regulator TS300 Series

Description

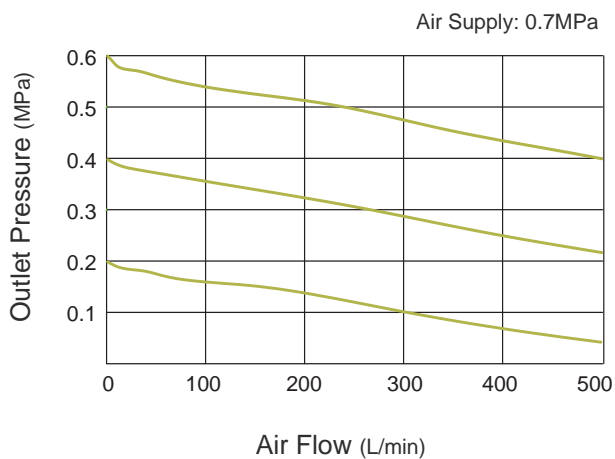
Air filter regulator TS300 series are used to provide pneumatic measuring and control equipment with a constant air supply.



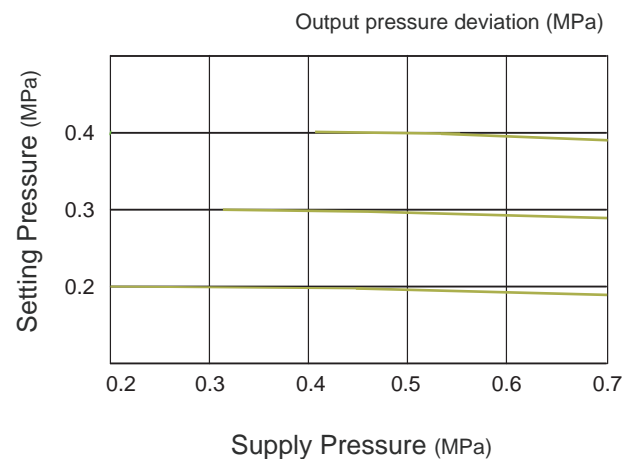
Features

- + Removes Oil, Water and Particles from compressed air
- + Excellent flow and regulation characteristics
- + Filter and Regulator in one compact unit
- + Easy Installation Repair and Replacement
- + 2 gauge port allows you to select installation direction
- + 5 micron filter

Flow characteristics



Pressure characteristics



Air Filter Regulator TS300 Series

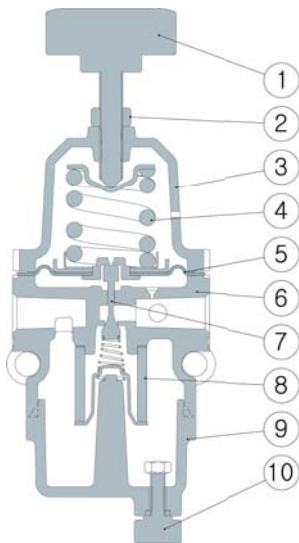
Specifications

Model	TS300
Max supply pressure	1.7MPa
Max output pressure	0.84MPa
Air connection	NPT1/4, PT1/4
Gauge connection	NPT1/4, PT1/4
Operating Temp.	-20°C ~70°C (Standard type)
Filtering capacity	5micron
Material	Aluminum die cast
Weight	0.6kg

Product number

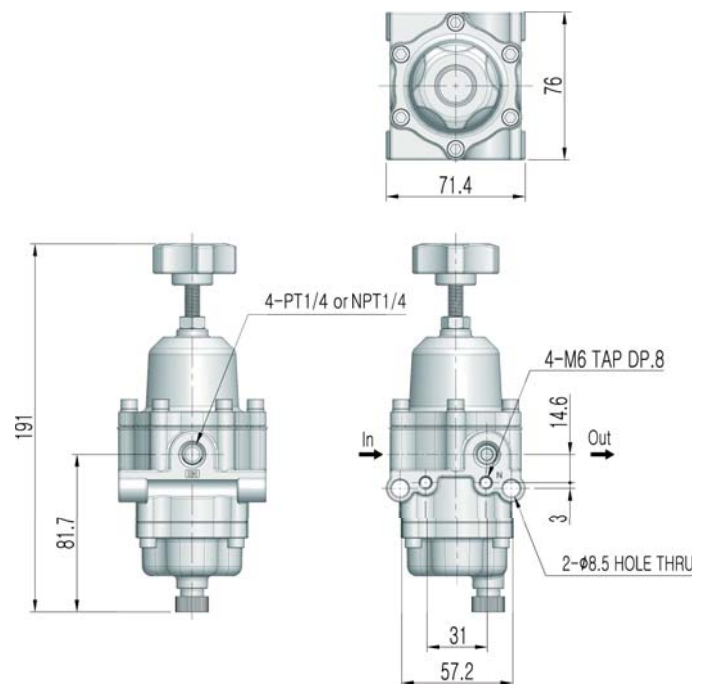
Model	TS300			
Air connection	NPT1/4	N		
	PT1/4	P		
Ambient temperature	-20°C~70°C		S	
	-20°C~120°C		H	
	-40°C~70°C		L	
Pressure gauge	None			0
	Included (0~1MPa)			1

Materials of construction



No.	Title	Material	No.	Title	Material
1	Adjust Handle	Nylon/STS	6	Body	ALDC1
2	Nut	STS	7	Stem	C3604BD/NBR
3	Spring Cover	ALDC12	8	Filter	Poly Ethylene
4	Adjust Spring	HSW3	9	Filter Cover	ALDC12
5	Diaphragm Ass'y	STS/NBR	10	Drain	Nylon/STS

Dimension [Unit:mm]





Solutions for control valve system

Tissin Co.,Ltd. (주)티씬

202-801, No 397, Seokchen-ro, Ojeong-gu,
Bucheon-si, Gyeonggi-do, Korea 14449

Tel : +82-32-624-4573, Fax : +82-32-624-4574

www.tissin.co.kr



Version: TS300EN_9/2017

We reserve the right to make technical changes or modify
the contents of this document without prior notice.

Copyright © 2017 Tissin
All rights reserved.

Printed in Korea